

# Ground Fault Devices

## Commercial Tamper-Resistant and/or Weather-Resistant GFCI Receptacles



### Features

- Patented shutter design for tamper-resistant protection
- Tamper-Resistant/Weather-Resistant Series meets NEC® requirements for TR (517-18c) and WR (406.9), UV and corrosion resistance for harsh and damp applications
- Weather-Resistant Only Series meets NEC® requirements for weather resistance (406.9), UV and corrosion resistance for harsh and damp applications
- Patented CIRCUITPRO® self-test technology
- Protects against line and load reversal, no power to the face or downstream if device is miswired



### Tamper-Resistant Weather-Resistant



Rating	Color	Standard	Isolated Ground	
NEMA 5-15, 15A 125V 	Almond	<b>GFTWRST15AL</b>	<b>GFTWRST15ALIG</b>	
	Black	<b>GFTWRST15BK</b>	<b>GFTWRST15BKIG</b>	
	Brown	<b>GFTWRST15</b>	<b>GFTWRST15IG</b>	
	Gray	<b>GFTWRST15GY</b>	<b>GFTWRST15GYIG</b>	
	Ivory	<b>GFTWRST15I</b>	<b>GFTWRST15IIG</b>	
	Light Almond	<b>GFTWRST15LA</b>	<b>GFTWRST15LAIG</b>	
	Orange	—	<b>GFTWRST15ORIG</b>	
	Red	<b>GFTWRST15R</b>	<b>GFTWRST15RIG</b>	
	White	<b>GFTWRST15W</b>	<b>GFTWRST15WIG</b>	
	NEMA 5-20, 20A 125V 	Almond	<b>GFTWRST20AL</b>	<b>GFTWRST20ALIG</b>
		Black	<b>GFTWRST20BK</b>	<b>GFTWRST20BKIG</b>
		Brown	<b>GFTWRST20</b>	<b>GFTWRST20IG</b>
Gray		<b>GFTWRST20GY</b>	<b>GFTWRST20GYIG</b>	
Ivory		<b>GFTWRST20I</b>	<b>GFTWRST20IIG</b>	
Light Almond		<b>GFTWRST20LA</b>	<b>GFTWRST20LAIG</b>	
Orange		—	<b>GFTWRST20ORIG</b>	
Red		<b>GFTWRST20R</b>	<b>GFTWRST20RIG</b>	
White		<b>GFTWRST20W</b>	<b>GFTWRST20WIG</b>	



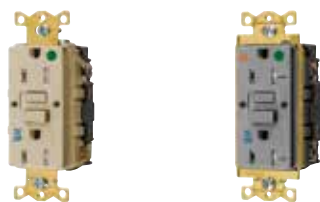
### Weather-Resistant Only



Rating	Color	Standard	
NEMA 5-15, 15A 125V 	Almond	<b>GFWRST15AL</b>	
	Black	<b>GFWRST15BK</b>	
	Brown	<b>GFWRST15</b>	
	Gray	<b>GFWRST15GY</b>	
	Ivory	<b>GFWRST15I</b>	
	Light Almond	<b>GFWRST15LA</b>	
	Red	<b>GFWRST15R</b>	
	White	<b>GFWRST15W</b>	
	NEMA 5-20, 20A 125V 	Almond	<b>GFWRST20AL</b>
		Black	<b>GFWRST20BK</b>
Brown		<b>GFWRST20</b>	
Gray		<b>GFWRST20GY</b>	
Ivory		<b>GFWRST20I</b>	
Light Almond		<b>GFWRST20LA</b>	
Red		<b>GFWRST20R</b>	
White		<b>GFWRST20W</b>	



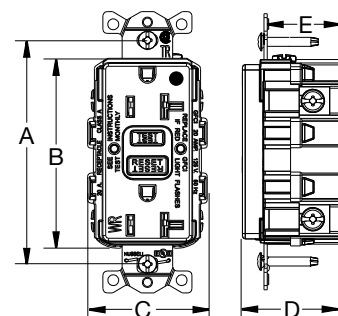
### Hospital Grade • Tamper-Resistant Weather-Resistant



Rating	Color	Standard	Isolated Ground	
NEMA 5-15, 15A 125V 	Almond	<b>GFST82ALTR</b>	<b>GFST82ALIG</b>	
	Black	<b>GFST82BKTR</b>	<b>GFST82BKIG</b>	
	Brown	<b>GFST82TR</b>	<b>GFST82IG</b>	
	Gray	<b>GFST82GYTR</b>	<b>GFST82GYIG</b>	
	Ivory	<b>GFST82ITR</b>	<b>GFST82IIG</b>	
	Light Almond	<b>GFST82LATR</b>	<b>GFST82LAIG</b>	
	Orange	—	<b>GFST82ORIG</b>	
	Red	<b>GFST82RTR</b>	<b>GFST82RIG</b>	
	White	<b>GFST82WTR</b>	<b>GFST82WIG</b>	
	NEMA 5-20, 20A 125V 	Almond	<b>GFST83ALTR</b>	<b>GFST83ALIG</b>
		Black	<b>GFST83BKTR</b>	<b>GFST83BKIG</b>
		Brown	<b>GFST83TR</b>	<b>GFST83IG</b>
Gray		<b>GFST83GYTR</b>	<b>GFST83GYIG</b>	
Ivory		<b>GFST83ITR</b>	<b>GFST83IIG</b>	
Light Almond		<b>GFST83LATR</b>	<b>GFST83LAIG</b>	
Orange		—	<b>GFST83ORIG</b>	
Red		<b>GFST83RTR</b>	<b>GFST83RIG</b>	
White		<b>GFST83WTR</b>	<b>GFST83WIG</b>	

### Product Dimensions Inches (mm)

GFCI Receptacle	
A	3.27" (83.1)
B	2.75" (69.8)
C	1.75" (44.5)
D	1.47" (37.4)
E	1.10" (27.9)



NEC® is a registered trademark of the National Fire Protection Association (NFPA).